


Featured Product: Model WM6500

The longest and most rugged Retractable-Belt® ever!



Extremely heavy-duty aluminum body: ¼" thick, designed to withstand the outdoor elements and heavy wear and tear.

Thick and durable 65' belt: for extremely long span applications. It's the same webbing that's used in all our Retractable-Belt® units and proven to outlast the competitor's belt.

Loop belt end: simple yet durable.

Pivoting mount allows the unit to swivel in any direction: so the belt can pull out at any angle.

Brake included: for a slow and safe belt retraction.

Mounting rod: allows integrated mounting into existing equipment.

Removable from wall plate: unit detaches with simple tools so you can use one head on multiple wall plates.

Model # WM6500SB-BYD

Belt End Options

Loop (standard)

Simple yet durable. Requires **Model # RE6500** receiving end (sold separately).



S-Hook

Universal S-Hook belt end works without a receiving end. It can wrap around or hook into any suitable object.



Universal

Polycarbonate belt end with lock. Requires **Model # RE** receiving end (sold separately).



Additional Features

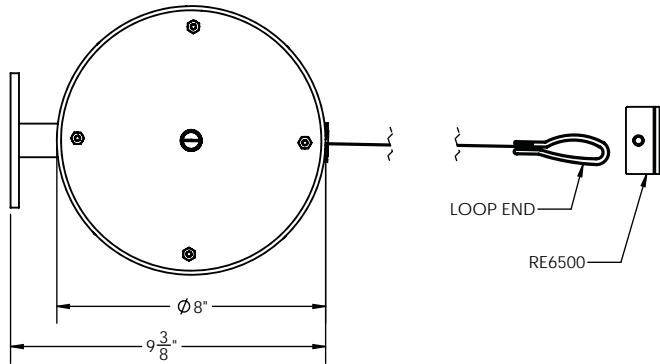
- ▶ 10 year warranty
- ▶ Unlike competitor's products, replacement components are available for on-site repair which eliminates the costly expense of shipping it back to the manufacturer.

Typical Applications

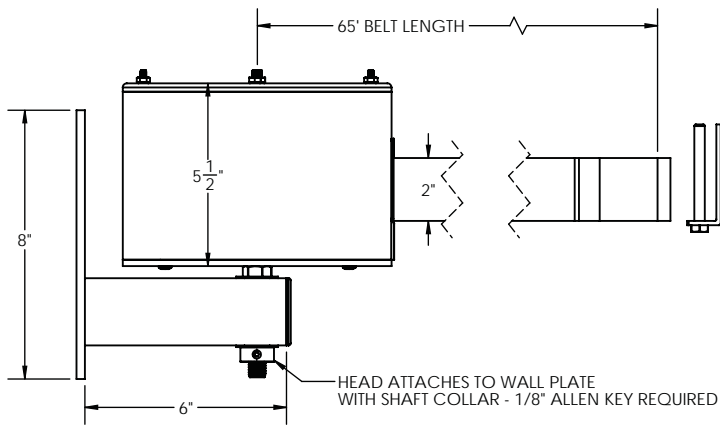
- ▶ Guiding passengers on the tarmac
- ▶ Bus & cruise ship loading
- ▶ Construction sites
- ▶ Closing parking lots
- ▶ Warehouse maintenance and other long span requirements

Model WM6500 Specs

Top View

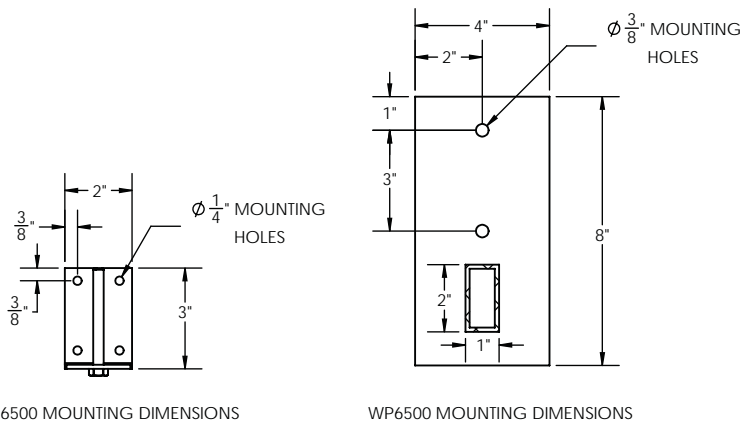


Side View



Overall Weight: 15 lbs.
(With Wall Plate: 17 lbs.)

Receiving End and Mounting Plate



Stock Finishes

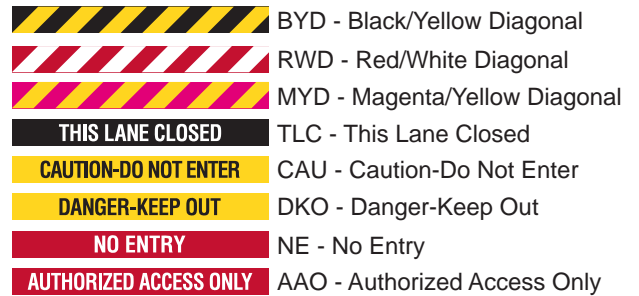


⚡ Ready for outdoor use

Standard Belt Options



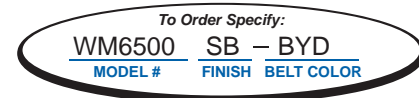
Specialty Belt Options (Double Sided)



Custom Dye-Sub Belt Samples*



*Dye-Sub is not intended for prolonged exposure to UV.



**Due to printing limitations, colors shown may not represent actual product colors. Please call for samples if required.*