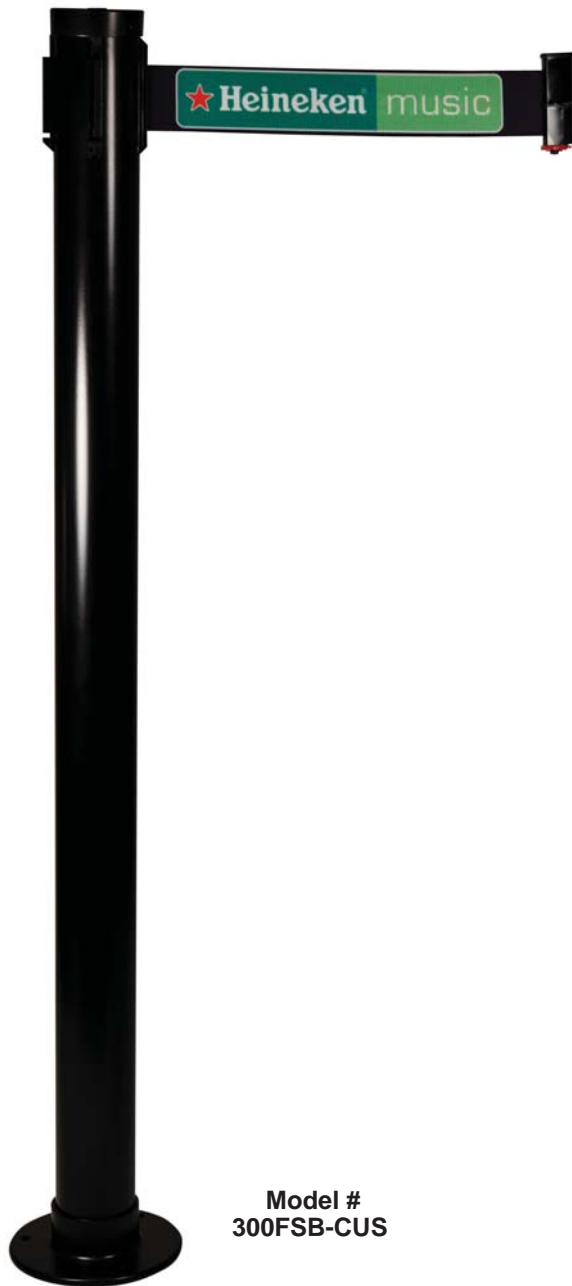


## Featured Product: Fixed Mount Post

### A fully permanent crowd control solution.

The ideal option for permanently established queue lines - economical and easy to install.



Model #  
300FSB-CUS

### Fixed Post Features

- ▶ The most economical option in our permanent/ semi-permanent product line.
- ▶ Available in standard 10' or 15' Retracta-Belt lengths, ADA-compliant Dual Line posts or display posts.
- ▶ **Easy to install:** requires three screws drilled into the ground (screws not included).
- ▶ **5" diameter base:** ensures a strong, permanently secured attachment to the ground.
- ▶ **Solid connection:** the steel post is welded to the steel base.
- ▶ **Durable:** steel construction throughout.
- ▶ **All parts are easily replaceable:** never need to unscrew the post from the ground for minor repairs or belt changes.
- ▶ **Versatile:** several finishes can be used outdoors.
- ▶ **Built in sign attachments.**
- ▶ 10 year warranty.



Model #  
300DFSB-BW

Fixed Mount Dual Line Post



Model #  
ST400F-PC  
(Shown here with  
841-PK & SE-PC)

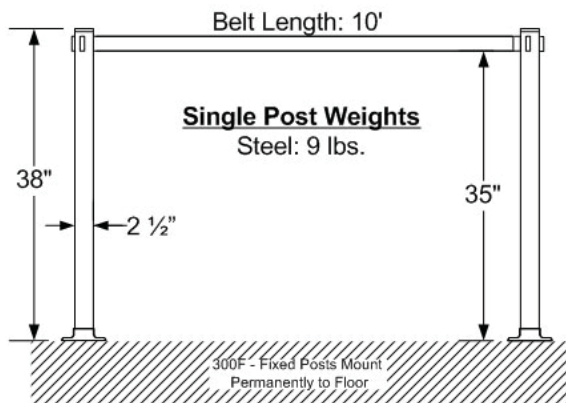
Fixed Mount Conventional Post

## Installation Instructions:

1. Lay out post locations, spacing the centerlines at least 6" less than belt length (ex: 9'6" or less with 10' belt).
2. Determine queue layout and mark the locations of the three holes in the base flange so the belt goes in the proper direction.
3. Determine which anchors are required for your floor.
4. Drill pilot hole/ hole for mollies.
5. Test fit and shim post if necessary.
6. Anchor the post to the floor.

For assistance with queue layout, please contact us.  
Professional installation is recommended but not required.

## Specs:



## Stock Finishes:



## Specialty Finishes:

**Class 1**  
Powder Coat over Steel Posts

200+ Colors Available at NO Additional Cost

Class 2  
Brass Plating over Steel

Class 3  
Solid Brass

Class 4  
Wood, Marble, Camouflage, Etc.

Can be weatherproofed for exterior use

In addition to the fixed mount, see our other mounting options to choose the best solution for you:

	Fixed	Removable	Mini Socket	Magnetic
<b>Summary</b>				
<b>Installation Type</b>	Permanent Post	Permanent Socket/ Removable Post	Permanent Socket/ Removable Post	Permanent or Semi-Permanent Plate / Removable Post
<b>Standard Installation Method</b>	Post Construction: (3) 0.25" dia. x 2" deep anchors	Pre-construction: Blocking locations before decking is poured, set sockets with concrete after flooring is installed  Post Construction: 4" dia. x 6" deep core drill, Set socket with cement	Post Construction: 0.75" dia. x 2" deep core drill, epoxy socket in place  Post Construction: 0.75" dia. x 4.5" deep core drill	Post Construction: (2) 0.25" dia. x 2" deep anchors to secure plate  Post Construction: Epoxy or VHB Tape to secure plates directly to surface
<b>Alternate Installation Methods</b>	N/A			
<b>Est. Post Install Time</b>	15 mins.	45 mins.	10 mins.	15 mins / <5 mins
<b>Install Difficulty</b>	Moderate	Difficult	Easy	Moderate (Screws) Very Easy (Epoxy or VHB Tape)
<b>Minimum Installation Depth</b>	2"	6"	2" Standard Socket 4" Alternate Socket	2" with Anchors 0" with Epoxy or VHB Tape
<b>Footprint of Post (In Use/Removed)</b>	5.5" / N/A	5.5" / 5.5"	2.5" / 0.75"	6" / 5.5"
<b>Rigidity of Post</b>	Rigid	Rigid	Flexible: Spring-loaded up to 10 degrees	Rigid: Magnet decouples with extreme side impact/force
<b>Available Finishes</b>	Limited *	All	All	All
<b>Available Models</b>	10', 15', Dual-Line, Display	10', 15', Dual-Line, Display	10', 15', 30', Dual-Line, Display	10', 15', 30', Dual-Line, Display

\*See above chart or price book for finish options