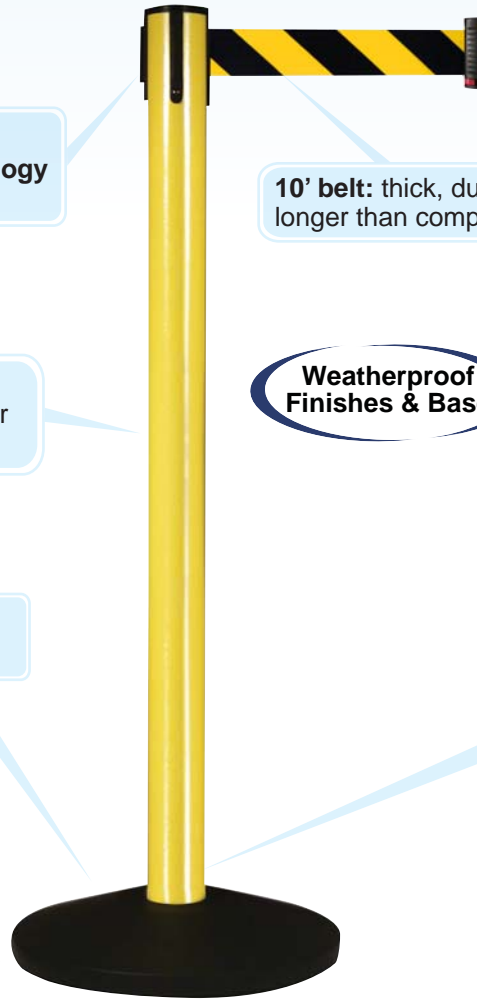


Retracta-Belt® PRIME Outdoor Post

Featured Product: Model 101

Proven Performance. PRIME Prices.

When you buy a Retracta-Belt® you're getting a high quality stanchion from a trusted manufacturer with 50 years of experience. So why buy anything else? Retracta-Belt PRIME® stanchions are economically priced, and feature technology and materials that will outperform any other low-cost stanchion on the market. We've analyzed design flaws of other similar products and corrected them to deliver you a low-cost stanchion worthy of the Retracta-Belt® name.



Strong and slow brake: made with E-Z Back® PRIME Technology for guaranteed safety

Universal belt end:

- ▶ Works with nearly every stanchion
- ▶ Locks to prevent accidental release

10' belt: thick, durable and 43% longer than competitors' posts

Weatherproof post material: PVC or aluminum post resists the outdoor elements and tough wear and tear

Weatherproof Finishes & Base

Featuring Exclusive EVERstraight® PRIME Technology



- ▶ Innovative self-straightening base connection keeps post upright
- ▶ Heavy base keeps post in place

Standard scuff resistant black ABS base cover

Built-in rubber floor protectors: around the ENTIRE base for maximum protection

Buyer Beware! Many low cost stanchions leave out industry standard features such as a slow retracting brake system or a universal belt end that enables connection to existing stanchions. Ensure your product has these critical features.

Additional Features

- ▶ Three year warranty
- ▶ Same day shipping on stock items
- ▶ Ships Knocked-Down to save you money
- ▶ Easy assembly, no tools required

Printed Belts



Belt End Upgrades



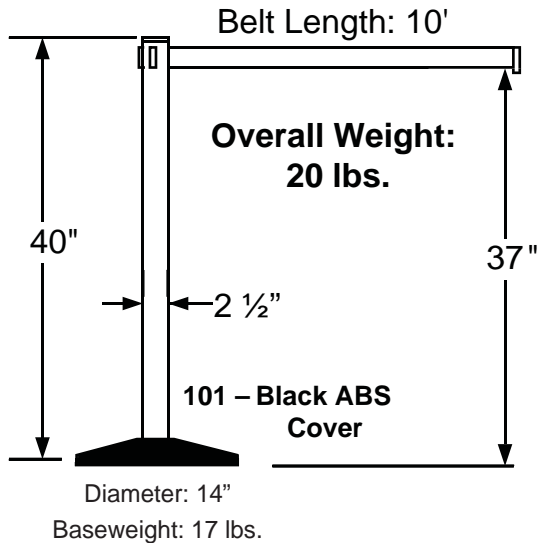
S-Hook

Magnetic

Suction Cup

Post Finishes & Belt Options for Retracta-Belt® PRIME Outdoor Post

Specs	
Post Material	Aluminum or PVC
Base Cover Material	Scuff Proof Black ABS
Baseweight Material	17 lbs. Cement-Filled with Floor Protectors
Post Diameter	2.5"
Base Diameter	14"
Overall Post Height	40"
Overall Weight	20 lbs.



Stock Finishes

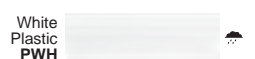
Aluminum

Our aluminum posts are highly weather resistant, and made from aircraft grade material for superior durability and resistance to rusting.



Plastic

Premium plastic posts are made of 100% virgin premium PVC with additives for superior strength. We use UV inhibitors to ensure color fastness and to prevent the post from drying out and becoming brittle.



Weather Resistant

These post finishes are intended for outdoor use. For a wider range of color options, please see the Retracta-Belt® PRIME Single Line Post flyer.



Stock Belt



Standard Belt Options

GR - Grey	DG - Dark Green
WH - White	LB - Light Blue
BN - Brown	BL - Blue
MN - Maroon	DB - Dark Blue
RD - Red	PL - Purple
OR - Orange	FY - Fluorescent Yellow
YW - Yellow	FO - Fluorescent Orange
GN - Green	BW - Black/White Stripe

Specialty Belt Options (Double Sided)

	BYD - Black/Yellow Diagonal
	RWD - Red/White Diagonal
	MYD - Magenta/Yellow Diagonal
	TLC - This Lane Closed
	CAU - Caution-Do Not Enter
	DKO - Danger-Keep Out
	NE - No Entry
	AAO - Authorized Access Only

Custom Dye-Sub Belt Samples*



*Dye-Sub not intended for prolonged exposure to UV.

**Due to printing limitations, colors shown may not represent actual product colors. Please call for samples if required.*